



Wall Mounting Instructions

Before you start... We recommend the following:



Select a suitable position on the wall with access to a power supply.

Select a wall/vertical face with structural integrity for fixing the ironing board. Allow for weight of ironing board supported by 5 screws against wall. eg. In the case of wooden wall, ensure you have located a vertical wall stud.



Ensure that there is adequate room to rotate the ironing board when in use. eg. 3' 9" clearance radius as board swivels.

Make sure the power supply is within reach of the ironing board.

1 Wall Plate Mounting

- Establish your desired ironing height. Mark the wall 1 5/8" (40mm) below this level.
- If structural wall is wooden pre-drill a 5/32" hole in the centre of the wall stud.
- For masonry walls, drill a 1/4" hole in the wall at the same height and insert wall plug.

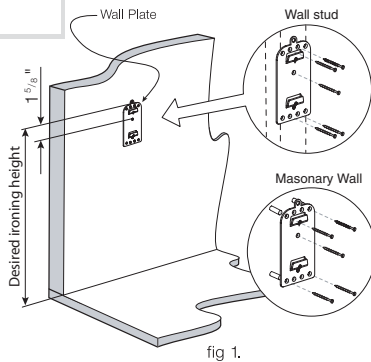


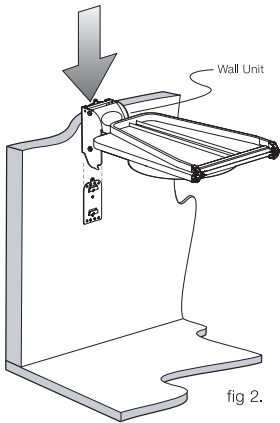
fig 1.

- Position the wall plate with a 1 1/2" long screw through the center screw hole in the wall plate. Mark inner 4 holes for wood or outer 4 holes for masonry.



Use a spirit level to align wall plate vertically.

- Remove wall plate, drill remaining marked holes and re-mount wall plate.



2 Ironing Board Mounting

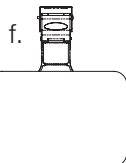
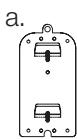
- Align the ironing board wall unit over the wall plate and lower into position.



Be careful not to squash fingers between plastic on underside when pivoting into position.

- Press firmly down in place. The self locking design will ensure constant support and stability.
- Once in place, fit the lock screw (item d) into the top screw hole of the wall plate using the supplied Allen key tool.

Contents of package:



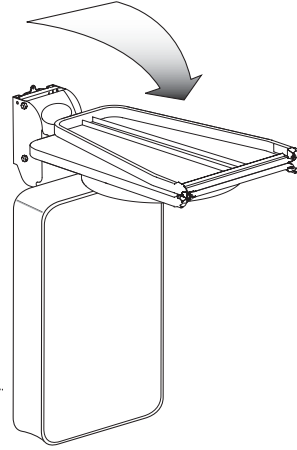
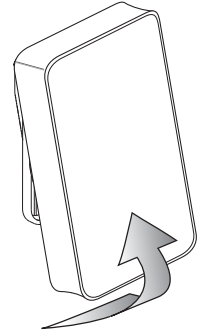
- a. Wall plate
- b. Wall Screws x5
- c. Wall plug x5 for masonry walls

- d. Lock screw and Allen key tool
- e. Wall cover with 4 plastic inserts
- f. Ironing board with fabric cover

User Instructions

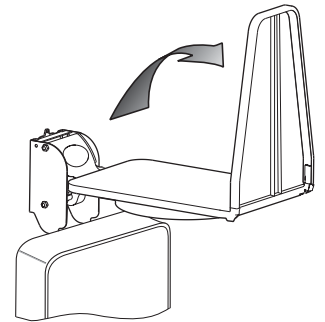
1

Remove fabric cover from wall unit. Place left hand on underside of cover and right hand on the top. With left hand pull outwards from underside while supporting cover with right hand.



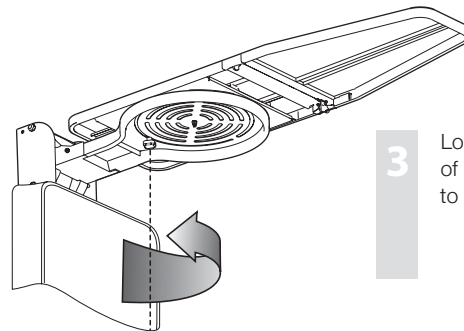
1

To suspend cover, hang off the hooks on the wall bracket. Grip top of ironing board to pull into horizontal position.



2

Unfold ironing board halves.



3

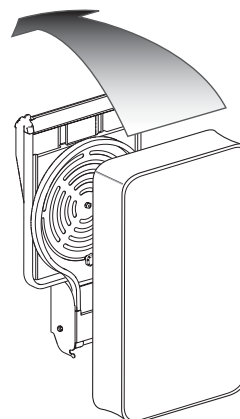
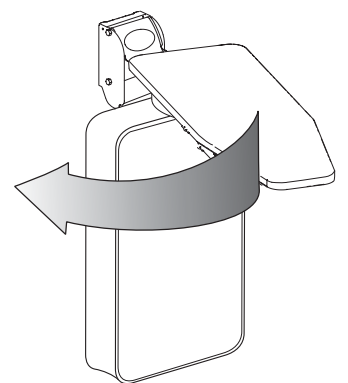
Loosen knob on underside of main body and swivel to desired angle.



Enlarged

4

Choose ironing board position. Tighten knob on underside.



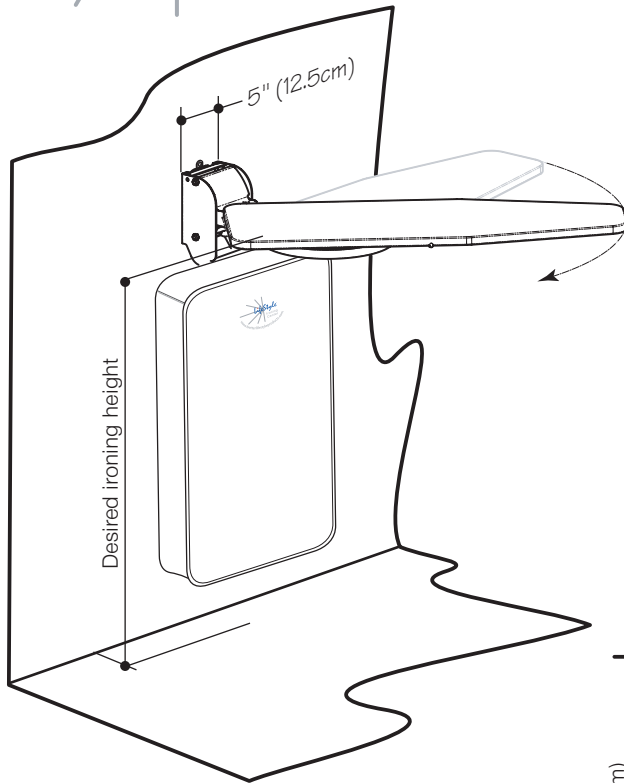
5

Remember to fold board, reposition base and tighten knob before lifting to vertical position when finished. Replace cover as shown.

LifeStyle™

Ironing Center

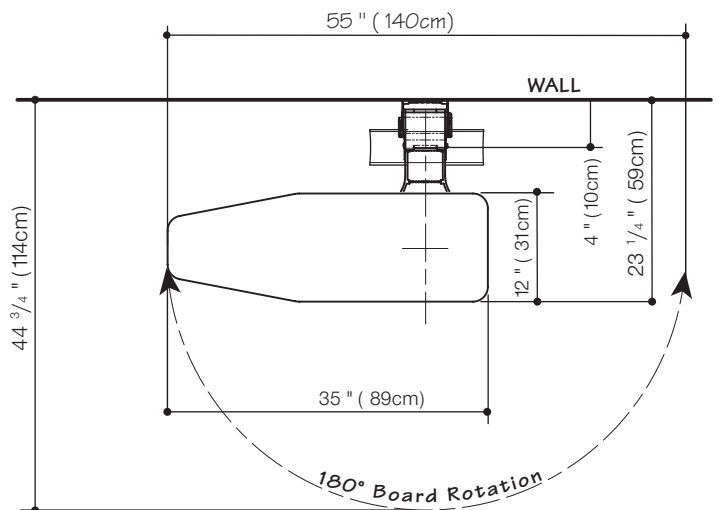
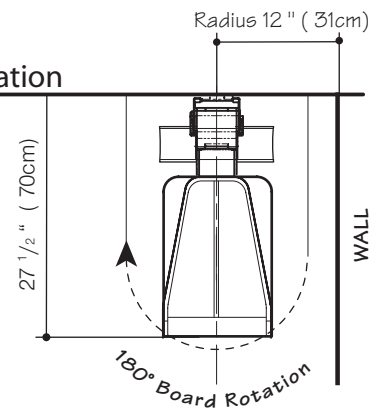
Model OSUM-01



Applications

- Bedrooms
- Bathrooms
- Laundry
- Condos
- Apartments
- Mobile Homes
- Hotels/Motels

Ideal for corner installation



Installation

Requirements;

- Solid surface masonry wall or lined timber frame construction. Instructions, mounting plate and fasteners provided.

Wall Space;

- 55" (140cm) of clear wall space or open room to allow full 180° board rotation.
- Corner installation requires 12" (31cm) of space out from the wall corner to enable mono direction swing.

Construction

- High quality steel construction, steel mesh ironing surface, cloth ironing cover with 'sewn in' 5mm soft pad, high quality cast zinc alloy hinges with engineering grade plastic components.
- All metal components finished in a colored durable powder coat finish.
- Fabric cover.

Product Specifications

- Ironing board surface 35" (89cm) x 12" (31cm).

A - 11/06

email; sales@laundrycompany.co.uk

website; www.laundrycompany.co.uk